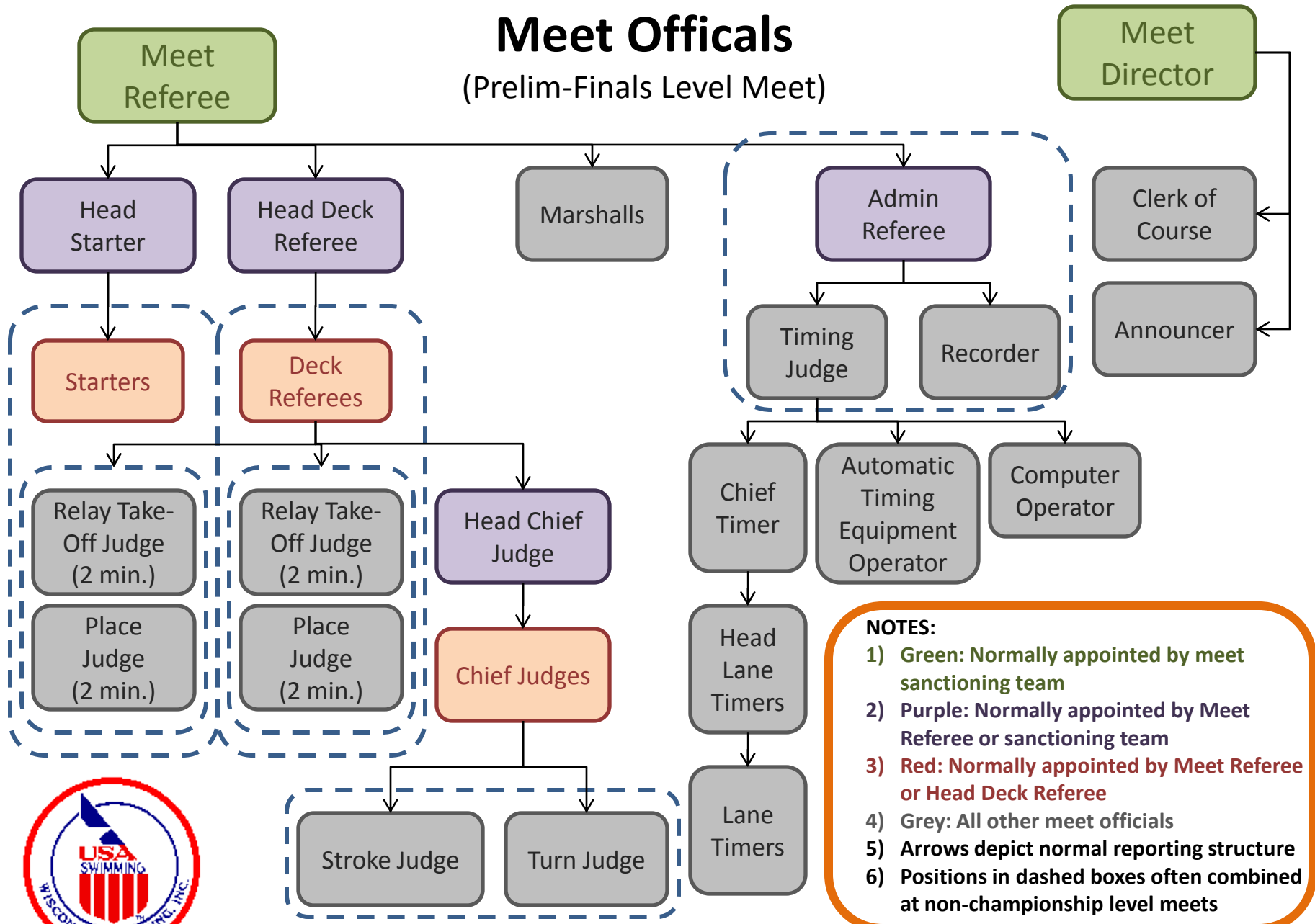


Meet Officials

(Prelim-Finals Level Meet)

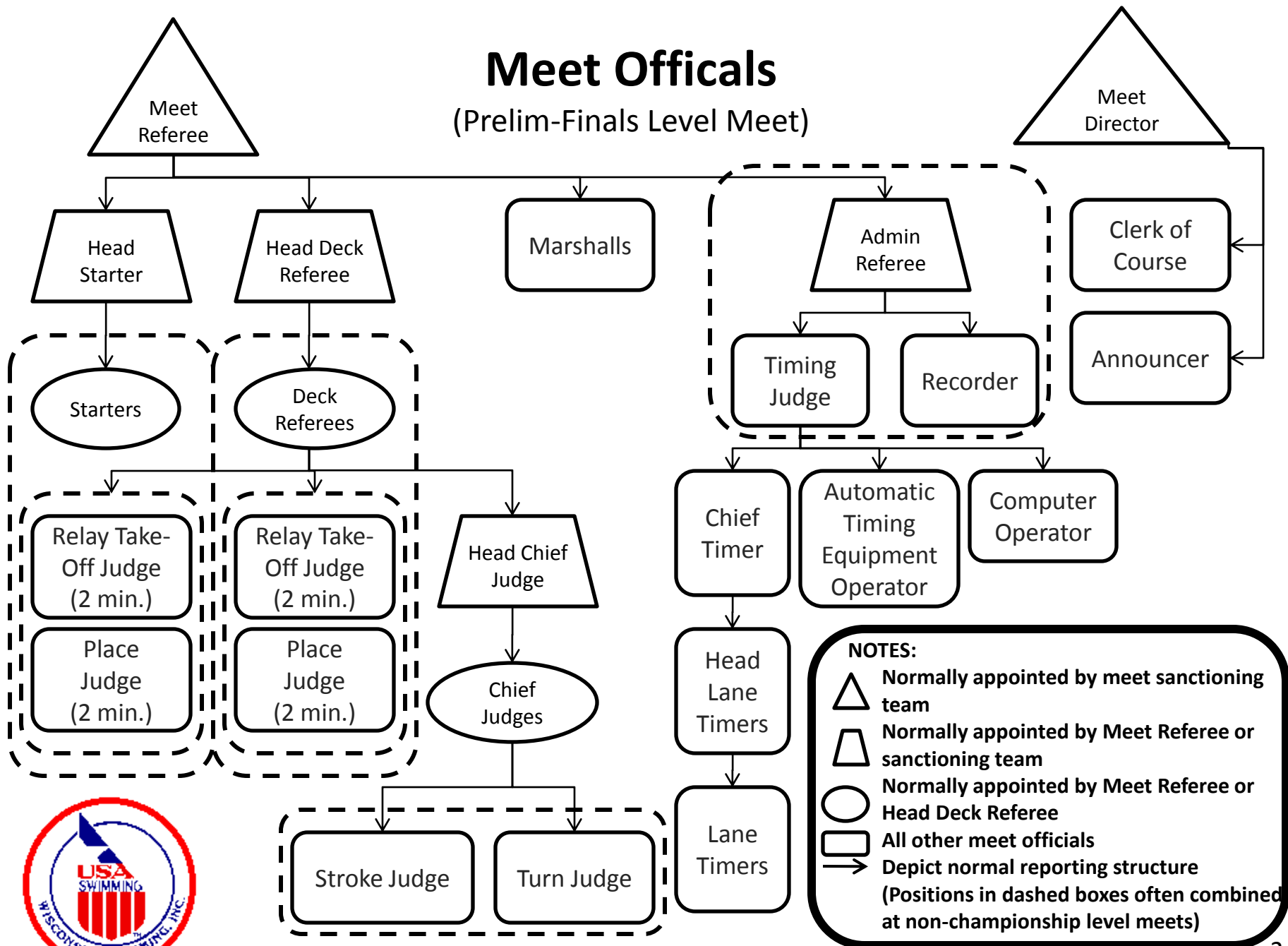


- NOTES:**
- 1) **Green:** Normally appointed by meet sanctioning team
 - 2) **Purple:** Normally appointed by Meet Referee or sanctioning team
 - 3) **Red:** Normally appointed by Meet Referee or Head Deck Referee
 - 4) **Grey:** All other meet officials
 - 5) **Arrows** depict normal reporting structure
 - 6) **Positions in dashed boxes** often combined at non-championship level meets



Meet Officials

(Prelim-Finals Level Meet)

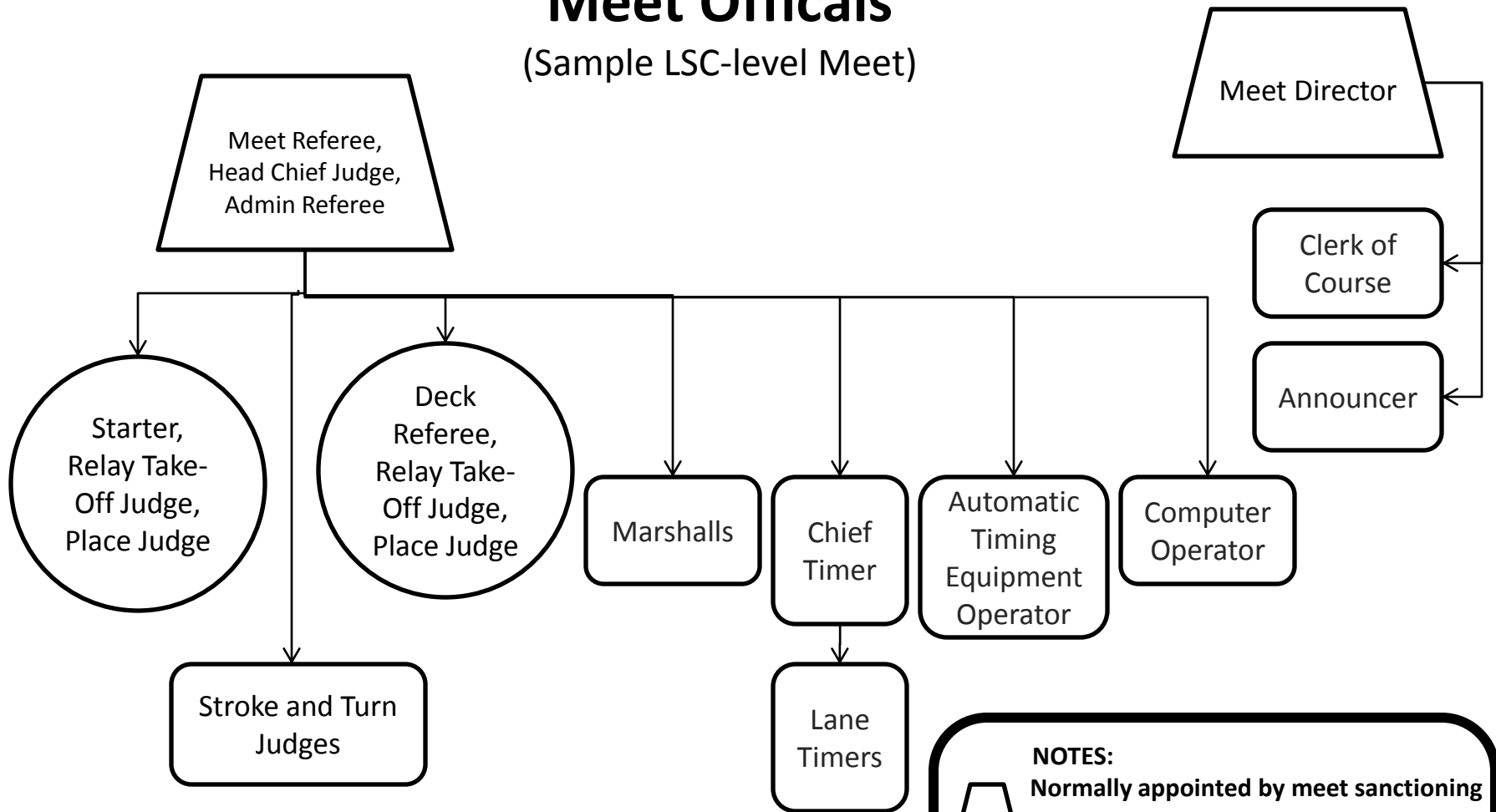


NOTES:




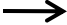
- △ Normally appointed by meet sanctioning team
- ▱ Normally appointed by Meet Referee or sanctioning team
- Normally appointed by Meet Referee or Head Deck Referee
- All other meet officials
- Depict normal reporting structure (Positions in dashed boxes often combined at non-championship level meets)

Meet Officials

(Sample LSC-level Meet)



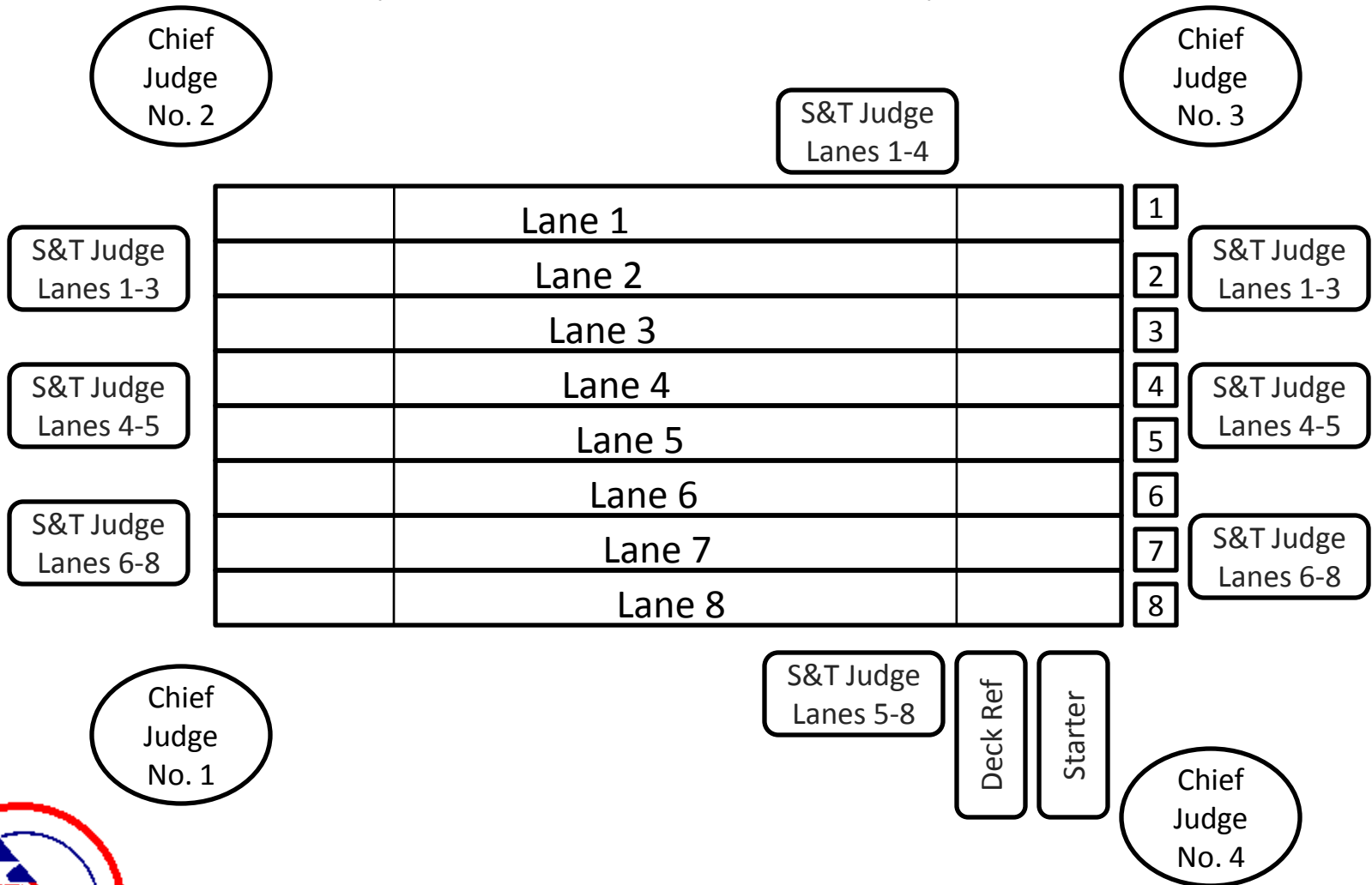
NOTES:

-  Normally appointed by meet sanctioning team
-  Normally appointed by Meet Referee
-  All other meet officials
-  Depict normal reporting structure



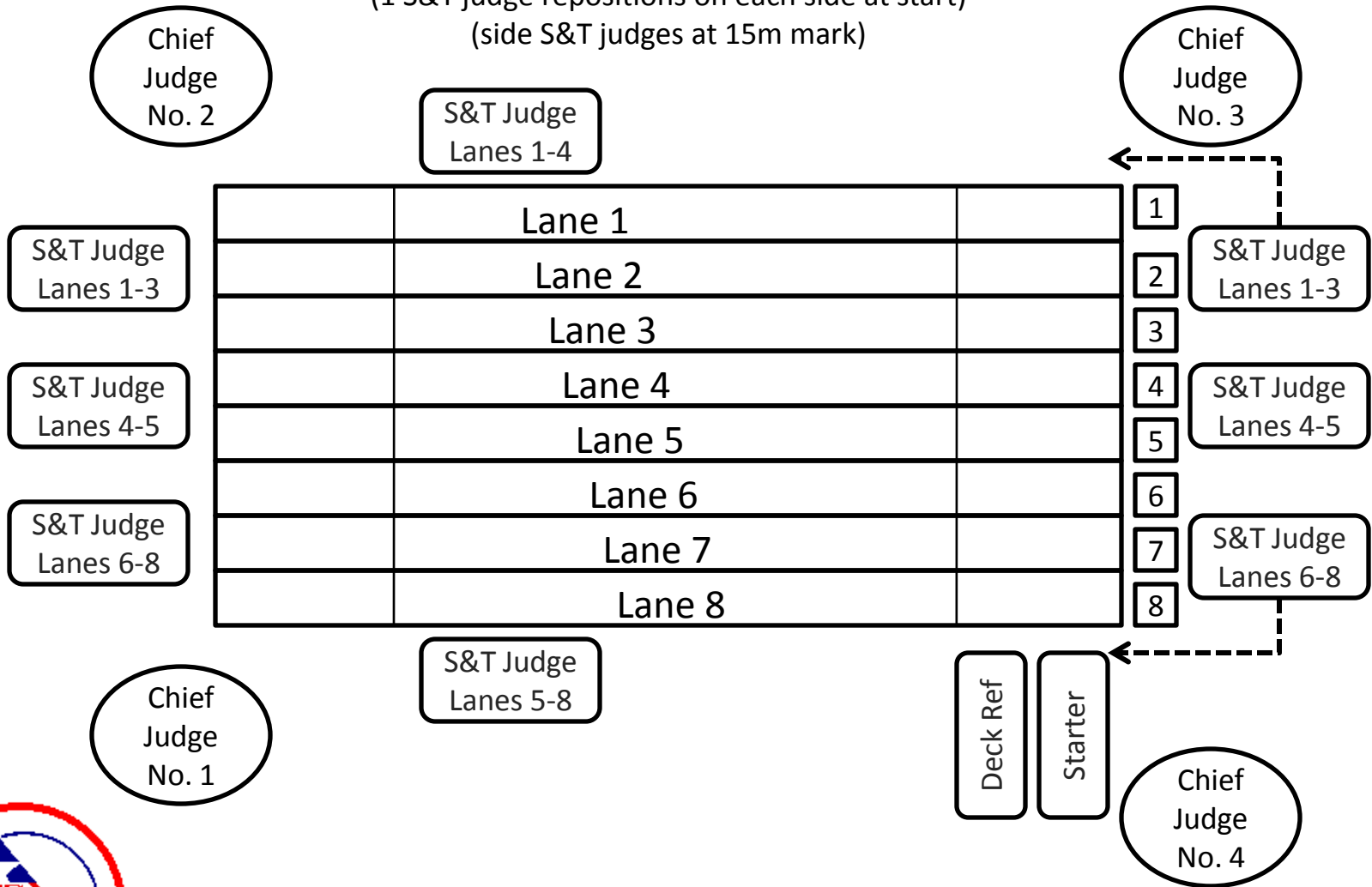
Officials Placement On Deck

(At start of BR and FY event races)



Officials Placement On Deck

(At **start** of Backstroke event races)
 (1 S&T judge repositions on each side at start)
 (side S&T judges at 15m mark)



Officials Placement On Deck

(During Freestyle event races)
 (1 S&T judge repositions to each corner)
 (may want to put a CJ or S&T judge at 15m mark)

Chief Judge No. 2

Chief Judge No. 3

S&T Judge Lanes 1-4

S&T Judge Lanes 1-4

	Lane 1		1
	Lane 2		2
	Lane 3		3
	Lane 4		4
	Lane 5		5
	Lane 6		6
	Lane 7		7
	Lane 8		8

Chief Judge No. 1

S&T Judge Lanes 5-8

S&T Judge Lanes 5-8

Deck Ref

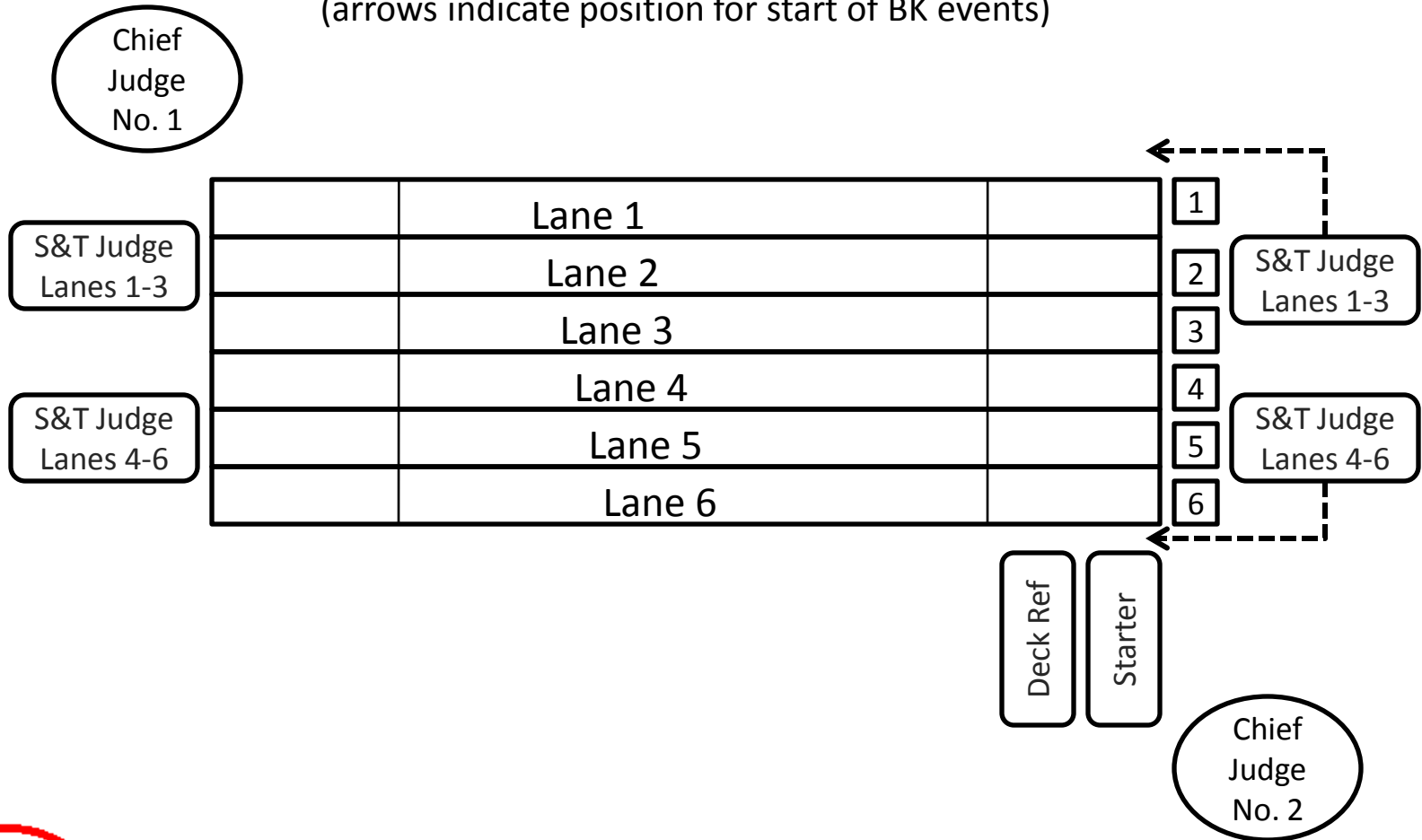
Starter

Chief Judge No. 4



Officials Placement On Deck

(Example of 6 lane pool with reduced staffing)
(arrows indicate position for start of BK events)



Recommended Deck Assignment of Officials

(Assumes 8 lane pool)

POSITION	Number of Officials																	State	
	3	4	5	6	7	8	9	10	11	12	13	14	15	16	17	21/22	Meet	Goal	
Meet Referee																			1 @
Starter(s)	1*	1*	1*	1*	1*	1*	1	1	1	1	1	1	2	2	2	2		2	
Deck Referee(s)	1*	1*	1	1*	1	1	1	1	1	1	1	1	2	2	2	2		2	
Administrative Referee																		1 #	
Stroke judge opposite S/R box	1		1		1	1													
Turn judges on turn end of pool		2		3	3	3	3	3	3	4	3	4	3	4	4	4		4	
Turn judges on start end of pool							2	3	3	3	3	3	3	3	3	4		4	
Stroke judges on side of pool			1									2	2	2	2	2		4	
Chief Judges			1	1	1	2	2	2	3	3	3	3	3	3	4	4		4	

* Position doubles as a primary Stroke & Turn Judge
 # At meets where prelim-finals format is being used
 @ Meet Referee not otherwise assigned a deck duty

Priorities / Objectives:

- 1) Have a Chief Judge
- 2) Preference of S&T judges being on end of pool, rather than side
- 3) Have Deck Referee and Starter located together in "hot box"
- 4) Consistent deck coverage throughout all sessions of meet
- 5) Depending upon meet format, consider dropping down a level or two to allow for relief official(s)

